

Adjustable handles, plastic with external thread and half-dog point, threaded insert black oxidized steel

Item description/product images



lift to
disengage



Description

Material:

Handles fiberglass reinforced plastic with die-cast zinc toothed rings.

Steel parts grade 5.8.

Thrust pin, steel.

Version:

Steel parts black oxidized.

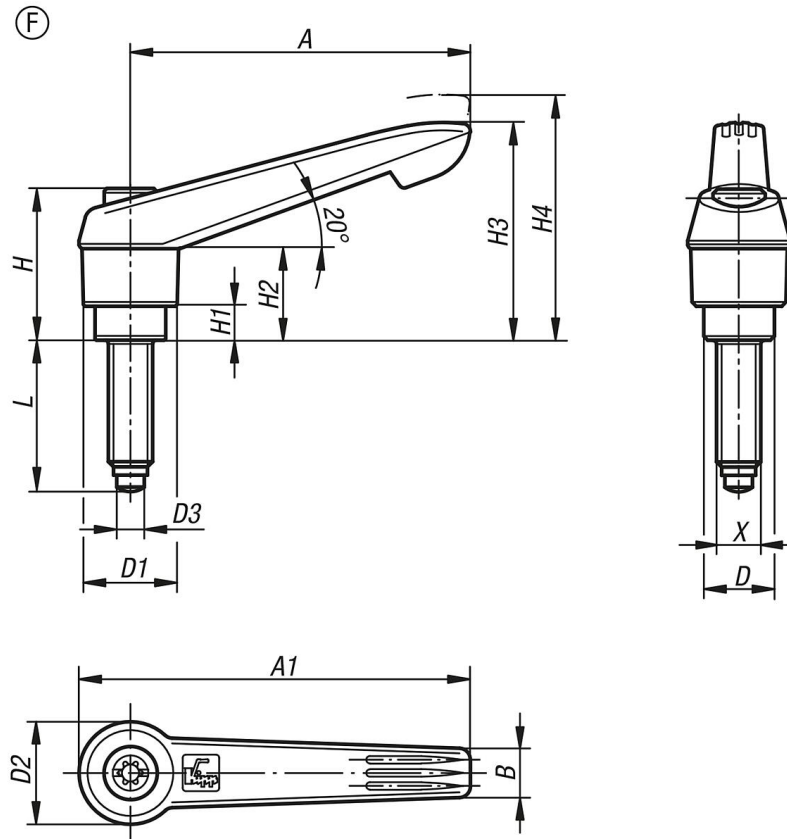
Note:

The various different thrust pins are used to avoid pressure marks, compensate for unevenness or increase the grip on the workpiece.

Where $L \geq 60$ mm the thread length is always 60 mm.

Adjustable handles, plastic with external thread and half-dog point, threaded insert black oxidized steel

Drawings



Item No.	style	Component material	Size	X	D	D1	D2	D3	H	H1	H2	H3	H4	A	A1	B	No. of teeth	L
K0780.61051X20	F	half-dog point steel	1	M5	10	13	14,5	3	24,5	4	15	30	33,5	40	47	7,5	16	20,5
K0780.61051X30	F	half-dog point steel	1	M5	10	13	14,5	3	24,5	4	15	30	33,5	40	47	7,5	16	30,5
K0780.61051X40	F	half-dog point steel	1	M5	10	13	14,5	3	24,5	4	15	30	33,5	40	47	7,5	16	40,5
K0780.61051X50	F	half-dog point steel	1	M5	10	13	14,5	3	24,5	4	15	30	33,5	40	47	7,5	16	50,5
K0780.61061X20	F	half-dog point steel	1	M6	10	13	14,5	4	24,5	4	15	30	33,5	40	47	7,5	16	20,8
K0780.61061X30	F	half-dog point steel	1	M6	10	13	14,5	4	24,5	4	15	30	33,5	40	47	7,5	16	30,8
K0780.61061X40	F	half-dog point steel	1	M6	10	13	14,5	4	24,5	4	15	30	33,5	40	47	7,5	16	40,8
K0780.61061X50	F	half-dog point steel	1	M6	10	13	14,5	4	24,5	4	15	30	33,5	40	47	7,5	16	50,8
K0780.62061X20	F	half-dog point steel	2	M6	13,5	18	19,5	4	28,5	6,5	17,5	41,5	45,5	65	75	9,5	20	20,8
K0780.62061X30	F	half-dog point steel	2	M6	13,5	18	19,5	4	28,5	6,5	17,5	41,5	45,5	65	75	9,5	20	30,8
K0780.62061X40	F	half-dog point steel	2	M6	13,5	18	19,5	4	28,5	6,5	17,5	41,5	45,5	65	75	9,5	20	40,8
K0780.62061X50	F	half-dog point steel	2	M6	13,5	18	19,5	4	28,5	6,5	17,5	41,5	45,5	65	75	9,5	20	50,8
K0780.62061X60	F	half-dog point steel	2	M6	13,5	18	19,5	4	28,5	6,5	17,5	41,5	45,5	65	75	9,5	20	60,8
K0780.62081X20	F	half-dog point steel	2	M8	13,5	18	19,5	5,5	28,5	6,5	17,5	41,5	45,5	65	75	9,5	20	20,8
K0780.62081X30	F	half-dog point steel	2	M8	13,5	18	19,5	5,5	28,5	6,5	17,5	41,5	45,5	65	75	9,5	20	30,8
K0780.62081X40	F	half-dog point steel	2	M8	13,5	18	19,5	5,5	28,5	6,5	17,5	41,5	45,5	65	75	9,5	20	40,8
K0780.62081X50	F	half-dog point steel	2	M8	13,5	18	19,5	5,5	28,5	6,5	17,5	41,5	45,5	65	75	9,5	20	50,8
K0780.62081X60	F	half-dog point steel	2	M8	13,5	18	19,5	5,5	28,5	6,5	17,5	41,5	45,5	65	75	9,5	20	60,8
K0780.62101X20	F	half-dog point steel	2	M10	13,5	18	19,5	7	28,5	6,5	17,5	41,5	45,5	65	75	9,5	20	20,9
K0780.62101X30	F	half-dog point steel	2	M10	13,5	18	19,5	7	28,5	6,5	17,5	41,5	45,5	65	75	9,5	20	30,9
K0780.62101X40	F	half-dog point steel	2	M10	13,5	18	19,5	7	28,5	6,5	17,5	41,5	45,5	65	75	9,5	20	40,9
K0780.62101X50	F	half-dog point steel	2	M10	13,5	18	19,5	7	28,5	6,5	17,5	41,5	45,5	65	75	9,5	20	50,9
K0780.62101X60	F	half-dog point steel	2	M10	13,5	18	19,5	7	28,5	6,5	17,5	41,5	45,5	65	75	9,5	20	60,9

**Adjustable handles, plastic with external thread and half-dog point,
threaded insert black oxidized steel**
