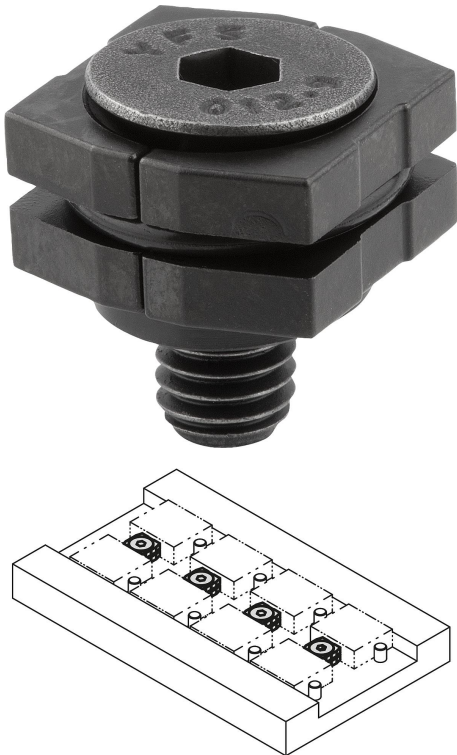


Wedge clamp with countersunk screw, style A

Item description/product images



Description

Material:

Carbon steel.

Version:

Jaw plate hardened (33–39 HRC) and black oxidized.

Note:

Due to the functioning principle, wedge clamps are suitable for clamping in series.

The wedges generate higher clamping forces.

Wedge clamps with pull-down effect.

Drawing reference:

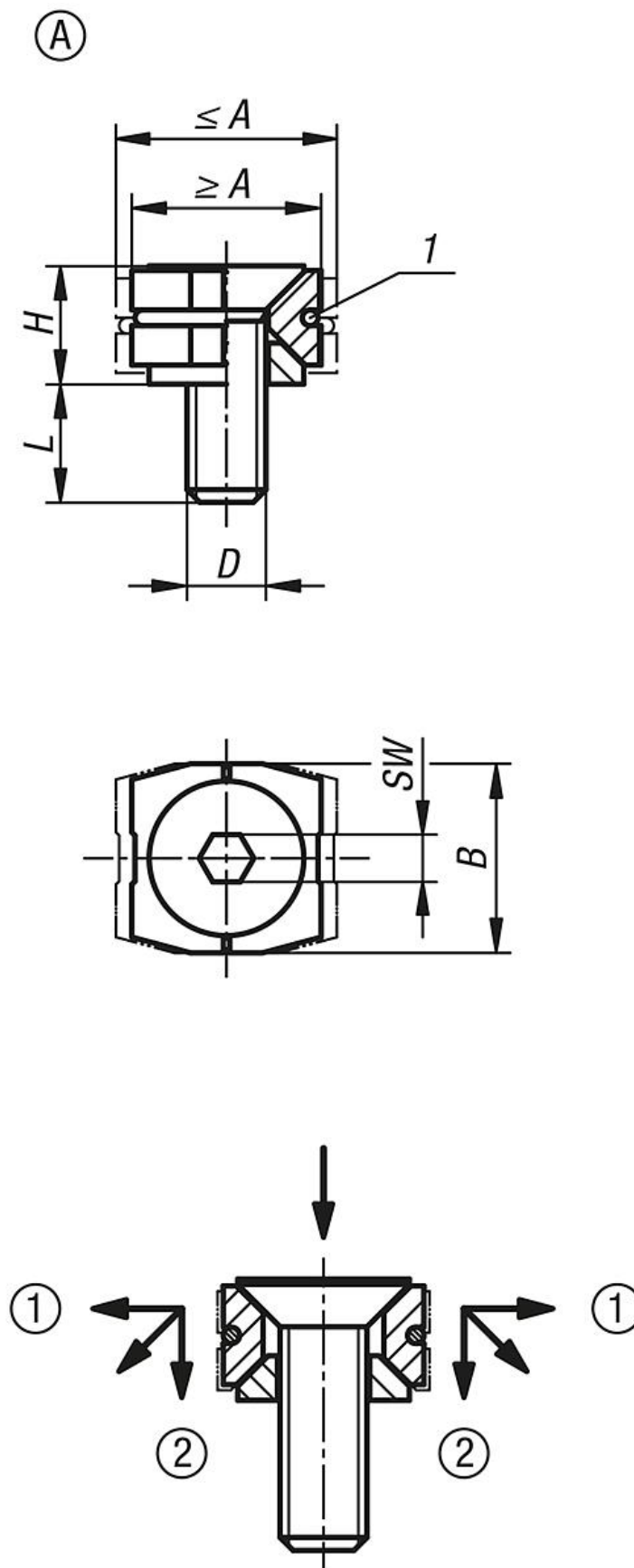
Dimension L refers to $\leq A$.

Dimension H refers to $\geq A$.

1) O-ring

Wedge clamp with countersunk screw, style A

Drawings



Wedge clamp with countersunk screw, style A

Order No.	style	A min.	A max.	B	D	H	L	SW	Clamping force max. kN	Tightening torque max. Nm
K1167.11205	A	12	14	12	M5X15	7,5	9,5	3	2	4,3
K1167.11506	A	15	17	14,8	M6X16	8,7	9,3	4	3,5	7,3
K1167.11808	A	18,5	21,5	18,4	M8X20	11,8	11,3	5	5	18