

Flat clamps narrow, Style A

Item description/product images



Description

Material:

Carbon steel.

Version:

Hardened (33–39 HRC) and black oxidized.

Note:

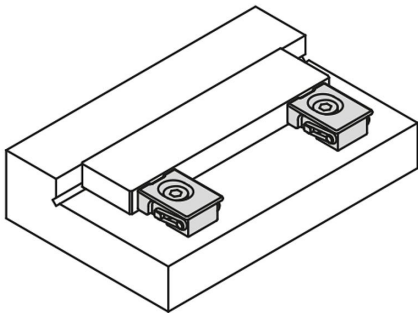
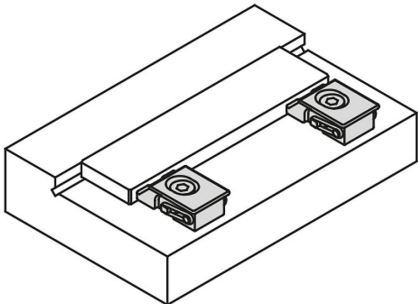
Particularly low workpieces can be clamped using these flat clamps.

Clamping element with pull-down effect.

Clamping element and fixed block in one compact unit.

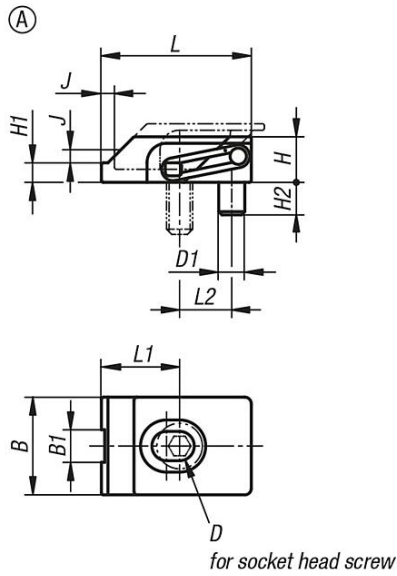
Drawing reference:

Dimension L1 refers to clamped state.

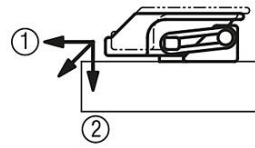
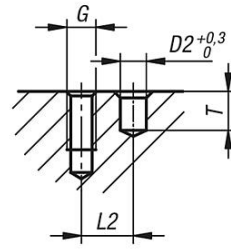


Flat clamps narrow, Style A

Drawings



installation instructions



- (Jaws exert positive down force)
- ①. Horizontal thrust against workpiece
 - ②. Vertical thrust prevents the workpiece lifting

Order No.	style	B	B1	D1	D2	G	H	H1	H2	J	L	L1	L2	T	Clamping force max. kN	Tightening torque max. Nm
K1168.104	A	15	5	4	4	M4	7	3	5	2	23	12	8	6	2	2,7
K1168.105	A	19	7	5	5	M5	9	4	6	2,5	28	14	10	7	3	5,4