

Latch with release, From A, stainless steel

Item description/product images



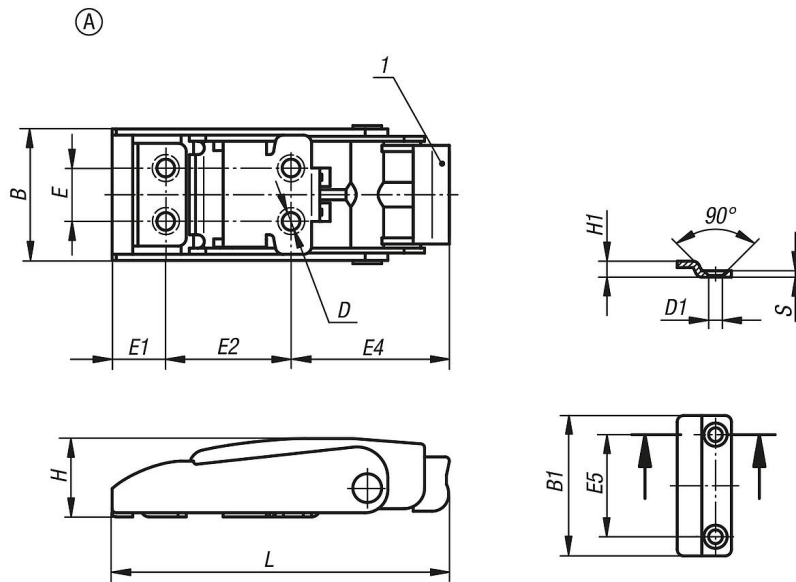
Description

**Material:**  
Stainless steel 1.4301.

**Version:**  
Bright.  
The latch surface is satin finished.

**Drawing reference:**  
1) Release

Drawings



Item No.	style	L	E	E1	E2	E4	B	H	D	B1	E5	H1	D1	S
K1357.43082	A	82	13	13,5	30	38,5	33,6	19,5	4,3	25	13	5	4,3	2