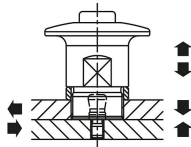


Push button latches, stainless steel

Item description/product images



Description

Product description:

Push button latches are used for replacing and locking fixtures or hatches quickly and easily.

Toolless clamping shortens setup times.

Material:

Housing and push button stainless steel.

Version:

Housing and push button bright.

Note:

style A for plate thickness 3 to 10 mm.

style B for plate thickness 3 to 27 mm.

A gap of more than 0.1 mm appears between the plates if the retaining force is exceeded.

Type of operation:

Press the latch over the clamping pin without pressing the knob. The latch is now locked.

To release, press the button and pull the latch off.

Application:

Mounting option A in combination with spacer rings, for plate thickness 3 to 10 mm.

Mounting option B for plate thickness 10 to 27 mm.

Attention:

The specified pull-out forces apply only in combination with clamping pin K1564.

Accessory:

Spacer rings K1563.

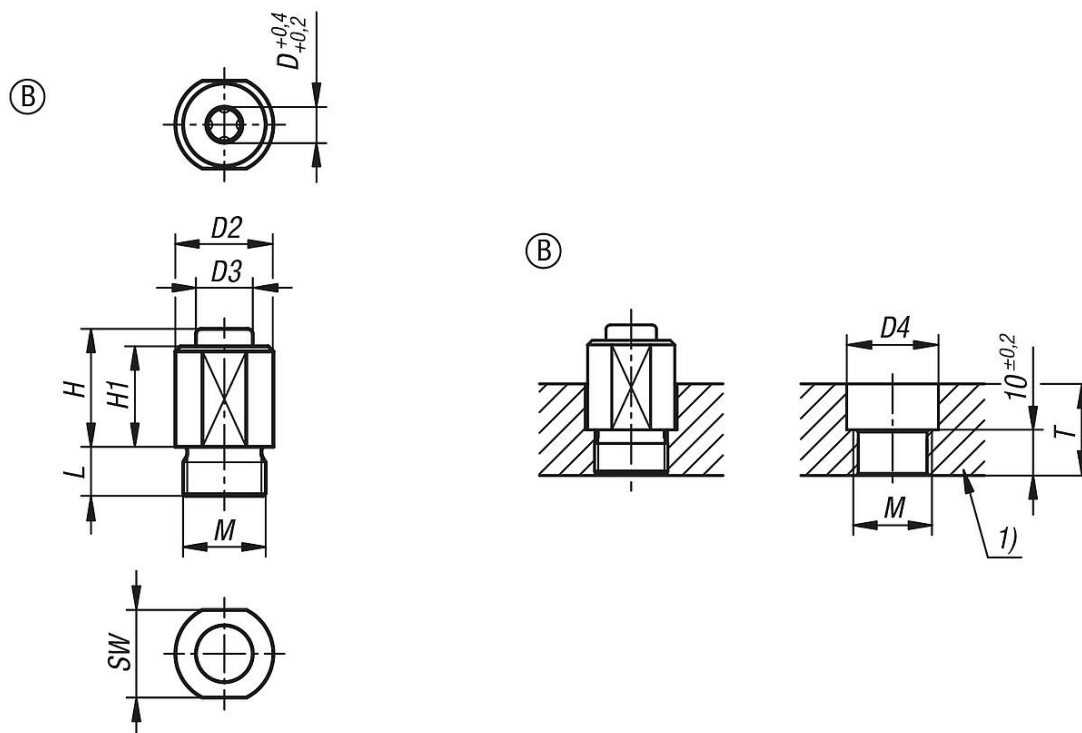
Clamping pins K1564.

Drawing reference:

1) plate

Push button latches, stainless steel

Drawings



Order No.	style	Version 1	D	D2	D3	D4	H	H1	L	M	SW	T	Holding force N	Clamping force N	Shearing force kN	Pullout force F kN	Temperature resistance
K1562.12	B	without head	6	19	11	20	23	19,5	9,5	M16X1	17	10-27	100	6	1,1	0,25	≤180 °C