

Adjustable handles, zinc, with internal thread and clamping force intensifier, matt textured, threaded insert black oxidized steel

Item description/product images



lift to
disengage



Description

Product description:

By using adjustable handles with integrated clamping force intensifier, the clamping force can be increased by up to 75% compared to standard adjustable handles.

Furthermore, this product can also be used by persons with limited hand strength (e.g. in rehabilitation) to achieve comparable clamping forces with less effort. Less effort is also needed to loosen the adjustable handle.

The increase in clamping force is achieved by the integral needle roller thrust bearing, which generates very low surface friction on a rigid contact surface during clamping. The hardened thrust washers are designed for high clamping forces and the bearing with its high load rating guarantees a long service life.

The clamped component is permanently protected by the large, stationary contact surface. A washer is no longer required.

Material:

Handle die-cast zinc DIN EN 12844.

Steel parts grade 5.8.

Version:

Handle powder-coated.

Steel parts black oxidized.

Axial needle bearing with hardened and ground thrust washer.

Type of operation:

In the default position, the handle is engaged with the threaded insert through a toothed ring. By lifting the handle, it can be repositioned and re-engaged in the toothed ring by spring force.

Application:

Machine, equipment and plant construction, rehabilitation sector.

Benefits:

Significant increase of the clamping force with the same tightening torque.

High quality axial needle bearing with high load rating and long service life.

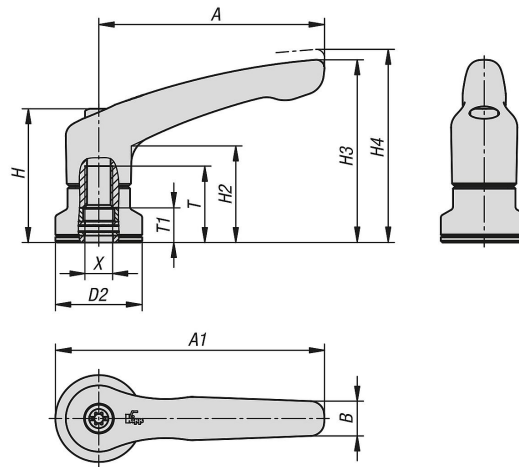
The component surface is protected by the stationary lower ring.

On request:

Other colors.

Adjustable handles, zinc, with internal thread and clamping force intensifier, matt textured, threaded insert black oxidized steel

Drawings



Order No.	Main color	Surface finish body	Size	X	D2	H	H2	H3	H4	A	A1	B	T	T1
K1599.208181	jet black RAL 9005	textured matt	2	M8	25	38,5	27,7	52,6	55,6	65	77,5	10	22	10
K1599.208182	orange RAL 2004	textured matt	2	M8	25	38,5	27,7	52,6	55,6	65	77,5	10	22	10
K1599.208183	rapeseed yellow RAL 1021	textured matt	2	M8	25	38,5	27,7	52,6	55,6	65	77,5	10	22	10
K1599.208184	traffic red RAL 3020	textured matt	2	M8	25	38,5	27,7	52,6	55,6	65	77,5	10	22	10
K1599.208185	green RAL 6032	textured matt	2	M8	25	38,5	27,7	52,6	55,6	65	77,5	10	22	10
K1599.208186	traffic blue RAL 5017	textured matt	2	M8	25	38,5	27,7	52,6	55,6	65	77,5	10	22	10
K1599.208187	light gray RAL 7035	textured matt	2	M8	25	38,5	27,7	52,6	55,6	65	77,5	10	22	10
K1599.208188	window gray RAL 7040	textured matt	2	M8	25	38,5	27,7	52,6	55,6	65	77,5	10	22	10
K1599.310181	jet black RAL 9005	textured matt	3	M10	30	47	33,9	64,4	68,6	80	95	11,2	24	10
K1599.310182	orange RAL 2004	textured matt	3	M10	30	47	33,9	64,4	68,6	80	95	11,2	24	10
K1599.310183	rapeseed yellow RAL 1021	textured matt	3	M10	30	47	33,9	64,4	68,6	80	95	11,2	24	10
K1599.310184	traffic red RAL 3020	textured matt	3	M10	30	47	33,9	64,4	68,6	80	95	11,2	24	10
K1599.310185	green RAL 6032	textured matt	3	M10	30	47	33,9	64,4	68,6	80	95	11,2	24	10
K1599.310186	traffic blue RAL 5017	textured matt	3	M10	30	47	33,9	64,4	68,6	80	95	11,2	24	10
K1599.310187	light gray RAL 7035	textured matt	3	M10	30	47	33,9	64,4	68,6	80	95	11,2	24	10
K1599.310188	window gray RAL 7040	textured matt	3	M10	30	47	33,9	64,4	68,6	80	95	11,2	24	10
K1599.410181	jet black RAL 9005	textured matt	4	M10	30	53,1	37,2	72,8	77,3	95	110	13,2	27	10
K1599.410182	orange RAL 2004	textured matt	4	M10	30	53,1	37,2	72,8	77,3	95	110	13,2	27	10
K1599.410183	rapeseed yellow RAL 1021	textured matt	4	M10	30	53,1	37,2	72,8	77,3	95	110	13,2	27	10
K1599.410184	traffic red RAL 3020	textured matt	4	M10	30	53,1	37,2	72,8	77,3	95	110	13,2	27	10
K1599.410185	green RAL 6032	textured matt	4	M10	30	53,1	37,2	72,8	77,3	95	110	13,2	27	10
K1599.410186	traffic blue RAL 5017	textured matt	4	M10	30	53,1	37,2	72,8	77,3	95	110	13,2	27	10
K1599.410187	light gray RAL 7035	textured matt	4	M10	30	53,1	37,2	72,8	77,3	95	110	13,2	27	10
K1599.410188	window gray RAL 7040	textured matt	4	M10	30	53,1	37,2	72,8	77,3	95	110	13,2	27	10
K1599.512181	jet black RAL 9005	textured matt	5	M12	35	59,1	41,9	83	87,5	110	127,5	15,4	33	10
K1599.512182	orange RAL 2004	textured matt	5	M12	35	59,1	41,9	83	87,5	110	127,5	15,4	33	10
K1599.512183	rapeseed yellow RAL 1021	textured matt	5	M12	35	59,1	41,9	83	87,5	110	127,5	15,4	33	10
K1599.512184	traffic red RAL 3020	textured matt	5	M12	35	59,1	41,9	83	87,5	110	127,5	15,4	33	10
K1599.512185	green RAL 6032	textured matt	5	M12	35	59,1	41,9	83	87,5	110	127,5	15,4	33	10
K1599.512186	traffic blue RAL 5017	textured matt	5	M12	35	59,1	41,9	83	87,5	110	127,5	15,4	33	10
K1599.512187	light gray RAL 7035	textured matt	5	M12	35	59,1	41,9	83	87,5	110	127,5	15,4	33	10
K1599.512188	window gray RAL 7040	textured matt	5	M12	35	59,1	41,9	83	87,5	110	127,5	15,4	33	10