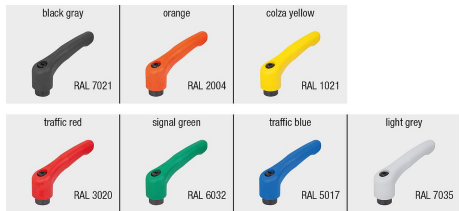


## Adjustable handles, plastic with external thread, threaded insert black oxidized steel

Item description/product images



lift to  
disengage



### Description

#### Product description:

The plastic adjustable handle with ergonomic grip design offers a high-quality, modern appearance in combination with very pleasant haptics. The adjustable handle is made of a special high-performance plastic and is available in many standard colors. The advantages of the adjustable handle are high rigidity and strength. The light weight make it ideal for mobile applications.

#### Material:

High performance fiberglass reinforced thermoplastic.  
Steel parts grade 5.8.

#### Version:

Steel parts black oxidized.

#### Note:

Where  $L \geq 60$  mm the thread length is always 60 mm.

#### Type of operation:

When not actuated, the handle is engaged in the tooth insert by a gear ring, thus allowing the thread to be fastened or released. When raised, the handle can be re-positioned and then re-engaged in the gear ring by spring force.

#### Application:

Machine, equipment and plant construction, rehabilitation sector.

#### Temperature range:

Permanent temperature max. 100 °C.  
Brief use with temperatures up to 130 °C.

#### Benefits:

Seven color variants.

#### On request:

Other screw sizes, screw lengths and special versions.  
Length "H1" optionally available in other lengths for an additional charge.

High temperature black-gray plastic.

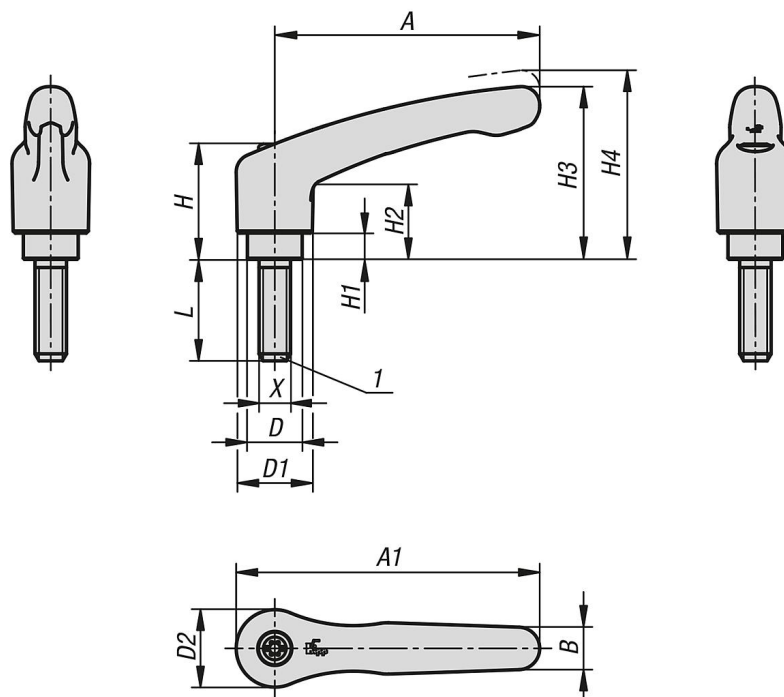
Permanent operating temperature acc. to IEC 216 150 °C - 160 °C max.  
Brief use with temperatures up to 250 °C.

#### Drawing reference:

1) flat point DIN EN ISO 4753

## Adjustable handles, plastic with external thread, threaded insert black oxidized steel

Drawings



### Adjustable handle, plastic with external thread, steel parts black oxidized

Order No.	Main color	Main material	Size	X	D	D1	D2	H	H1	H2	H3	H4	A	A1	B	No. of teeth	L
K1700.9031X6	black gray RAL 7021	high performance thermoplastic	9	M3	8	10,5	11	21,4	4	12,4	24	27	22	27,5	6,4	12	6
K1700.9031X10	black gray RAL 7021	high performance thermoplastic	9	M3	8	10,5	11	21,4	4	12,4	24	27	22	27,5	6,4	12	10
K1700.9031X15	black gray RAL 7021	high performance thermoplastic	9	M3	8	10,5	11	21,4	4	12,4	24	27	22	27,5	6,4	12	15
K1700.9031X20	black gray RAL 7021	high performance thermoplastic	9	M3	8	10,5	11	21,4	4	12,4	24	27	22	27,5	6,4	12	20
K1700.9041X10	black gray RAL 7021	high performance thermoplastic	9	M4	8	10,5	11	21,4	4	12,4	24	27	22	27,5	6,4	12	10
K1700.9041X15	black gray RAL 7021	high performance thermoplastic	9	M4	8	10,5	11	21,4	4	12,4	24	27	22	27,5	6,4	12	15
K1700.9041X20	black gray RAL 7021	high performance thermoplastic	9	M4	8	10,5	11	21,4	4	12,4	24	27	22	27,5	6,4	12	20
K1700.9041X25	black gray RAL 7021	high performance thermoplastic	9	M4	8	10,5	11	21,4	4	12,4	24	27	22	27,5	6,4	12	25
K1700.9041X30	black gray RAL 7021	high performance thermoplastic	9	M4	8	10,5	11	21,4	4	12,4	24	27	22	27,5	6,4	12	30
K1700.9041X35	black gray RAL 7021	high performance thermoplastic	9	M4	8	10,5	11	21,4	4	12,4	24	27	22	27,5	6,4	12	35
K1700.9051X10	black gray RAL 7021	high performance thermoplastic	9	M5	8	10,5	11	21,4	4	12,4	24	27	22	27,5	6,4	12	10
K1700.9051X15	black gray RAL 7021	high performance thermoplastic	9	M5	8	10,5	11	21,4	4	12,4	24	27	22	27,5	6,4	12	15
K1700.9051X20	black gray RAL 7021	high performance thermoplastic	9	M5	8	10,5	11	21,4	4	12,4	24	27	22	27,5	6,4	12	20
K1700.9051X25	black gray RAL 7021	high performance thermoplastic	9	M5	8	10,5	11	21,4	4	12,4	24	27	22	27,5	6,4	12	25
K1700.9051X30	black gray RAL 7021	high performance thermoplastic	9	M5	8	10,5	11	21,4	4	12,4	24	27	22	27,5	6,4	12	30
K1700.9051X35	black gray RAL 7021	high performance thermoplastic	9	M5	8	10,5	11	21,4	4	12,4	24	27	22	27,5	6,4	12	35
K1700.0031X6	black gray RAL 7021	high performance thermoplastic	0	M3	10	13,2	13,8	24,5	4	15,5	30	33,5	30	36,9	7,6	16	6
K1700.0031X10	black gray RAL 7021	high performance thermoplastic	0	M3	10	13,2	13,8	24,5	4	15,5	30	33,5	30	36,9	7,6	16	10
K1700.0031X15	black gray RAL 7021	high performance thermoplastic	0	M3	10	13,2	13,8	24,5	4	15,5	30	33,5	30	36,9	7,6	16	15
K1700.0031X20	black gray RAL 7021	high performance thermoplastic	0	M3	10	13,2	13,8	24,5	4	15,5	30	33,5	30	36,9	7,6	16	20
K1700.0041X10	black gray RAL 7021	high performance thermoplastic	0	M4	10	13,2	13,8	24,5	4	15,5	30	33,5	30	36,9	7,6	16	10
K1700.0041X15	black gray RAL 7021	high performance thermoplastic	0	M4	10	13,2	13,8	24,5	4	15,5	30	33,5	30	36,9	7,6	16	15
K1700.0041X20	black gray RAL 7021	high performance thermoplastic	0	M4	10	13,2	13,8	24,5	4	15,5	30	33,5	30	36,9	7,6	16	20
K1700.0041X25	black gray RAL 7021	high performance thermoplastic	0	M4	10	13,2	13,8	24,5	4	15,5	30	33,5	30	36,9	7,6	16	25
K1700.0041X30	black gray RAL 7021	high performance thermoplastic	0	M4	10	13,2	13,8	24,5	4	15,5	30	33,5	30	36,9	7,6	16	30
K1700.0041X35	black gray RAL 7021	high performance thermoplastic	0	M4	10	13,2	13,8	24,5	4	15,5	30	33,5	30	36,9	7,6	16	35
K1700.0041X40	black gray RAL 7021	high performance thermoplastic	0	M4	10	13,2	13,8	24,5	4	15,5	30	33,5	30	36,9	7,6	16	40
K1700.0041X45	black gray RAL 7021	high performance thermoplastic	0	M4	10	13,2	13,8	24,5	4	15,5	30	33,5	30	36,9	7,6	16	45
K1700.0041X50	black gray RAL 7021	high performance thermoplastic	0	M4	10	13,2	13,8	24,5	4	15,5	30	33,5	30	36,9	7,6	16	50
K1700.0051X10	black gray RAL 7021	high performance thermoplastic	0	M5	10	13,2	13,8	24,5	4	15,5	30	33,5	30	36,9	7,6	16	10





































## Adjustable handles, plastic with external thread, threaded insert black oxidized steel

Order No.	Main color	Main material	Size	X	D	D1	D2	H	H1	H2	H3	H4	A	A1	B	No. of teeth	L
K1700.41288X60	light gray RAL 7035	high performance thermoplastic	4	M12	19	26,2	27,1	43,1	10	27,8	62,4	68,1	96,8	110,3	14,1	24	60
K1700.41288X70	light gray RAL 7035	high performance thermoplastic	4	M12	19	26,2	27,1	43,1	10	27,8	62,4	68,1	96,8	110,3	14,1	24	70
K1700.41288X80	light gray RAL 7035	high performance thermoplastic	4	M12	19	26,2	27,1	43,1	10	27,8	62,4	68,1	96,8	110,3	14,1	24	80
K1700.41288X90	light gray RAL 7035	high performance thermoplastic	4	M12	19	26,2	27,1	43,1	10	27,8	62,4	68,1	96,8	110,3	14,1	24	90
K1700.51288X25	light gray RAL 7035	high performance thermoplastic	5	M12	23	30,5	31,5	49,1	12	30,8	72,9	79,2	110,9	126,6	15,1	26	25
K1700.51288X30	light gray RAL 7035	high performance thermoplastic	5	M12	23	30,5	31,5	49,1	12	30,8	72,9	79,2	110,9	126,6	15,1	26	30
K1700.51288X35	light gray RAL 7035	high performance thermoplastic	5	M12	23	30,5	31,5	49,1	12	30,8	72,9	79,2	110,9	126,6	15,1	26	35
K1700.51288X40	light gray RAL 7035	high performance thermoplastic	5	M12	23	30,5	31,5	49,1	12	30,8	72,9	79,2	110,9	126,6	15,1	26	40
K1700.51288X45	light gray RAL 7035	high performance thermoplastic	5	M12	23	30,5	31,5	49,1	12	30,8	72,9	79,2	110,9	126,6	15,1	26	45
K1700.51288X50	light gray RAL 7035	high performance thermoplastic	5	M12	23	30,5	31,5	49,1	12	30,8	72,9	79,2	110,9	126,6	15,1	26	50
K1700.51288X55	light gray RAL 7035	high performance thermoplastic	5	M12	23	30,5	31,5	49,1	12	30,8	72,9	79,2	110,9	126,6	15,1	26	55
K1700.51288X60	light gray RAL 7035	high performance thermoplastic	5	M12	23	30,5	31,5	49,1	12	30,8	72,9	79,2	110,9	126,6	15,1	26	60
K1700.51288X70	light gray RAL 7035	high performance thermoplastic	5	M12	23	30,5	31,5	49,1	12	30,8	72,9	79,2	110,9	126,6	15,1	26	70
K1700.51288X80	light gray RAL 7035	high performance thermoplastic	5	M12	23	30,5	31,5	49,1	12	30,8	72,9	79,2	110,9	126,6	15,1	26	80
K1700.51288X90	light gray RAL 7035	high performance thermoplastic	5	M12	23	30,5	31,5	49,1	12	30,8	72,9	79,2	110,9	126,6	15,1	26	90
K1700.51688X25	light gray RAL 7035	high performance thermoplastic	5	M16	23	30,5	31,5	49,1	12	30,8	72,9	79,2	110,9	126,6	15,1	26	25
K1700.51688X30	light gray RAL 7035	high performance thermoplastic	5	M16	23	30,5	31,5	49,1	12	30,8	72,9	79,2	110,9	126,6	15,1	26	30
K1700.51688X35	light gray RAL 7035	high performance thermoplastic	5	M16	23	30,5	31,5	49,1	12	30,8	72,9	79,2	110,9	126,6	15,1	26	35
K1700.51688X40	light gray RAL 7035	high performance thermoplastic	5	M16	23	30,5	31,5	49,1	12	30,8	72,9	79,2	110,9	126,6	15,1	26	40
K1700.51688X45	light gray RAL 7035	high performance thermoplastic	5	M16	23	30,5	31,5	49,1	12	30,8	72,9	79,2	110,9	126,6	15,1	26	45
K1700.51688X50	light gray RAL 7035	high performance thermoplastic	5	M16	23	30,5	31,5	49,1	12	30,8	72,9	79,2	110,9	126,6	15,1	26	50
K1700.51688X55	light gray RAL 7035	high performance thermoplastic	5	M16	23	30,5	31,5	49,1	12	30,8	72,9	79,2	110,9	126,6	15,1	26	55
K1700.51688X60	light gray RAL 7035	high performance thermoplastic	5	M16	23	30,5	31,5	49,1	12	30,8	72,9	79,2	110,9	126,6	15,1	26	60
K1700.51688X70	light gray RAL 7035	high performance thermoplastic	5	M16	23	30,5	31,5	49,1	12	30,8	72,9	79,2	110,9	126,6	15,1	26	70
K1700.51688X80	light gray RAL 7035	high performance thermoplastic	5	M16	23	30,5	31,5	49,1	12	30,8	72,9	79,2	110,9	126,6	15,1	26	80
K1700.51688X90	light gray RAL 7035	high performance thermoplastic	5	M16	23	30,5	31,5	49,1	12	30,8	72,9	79,2	110,9	126,6	15,1	26	90