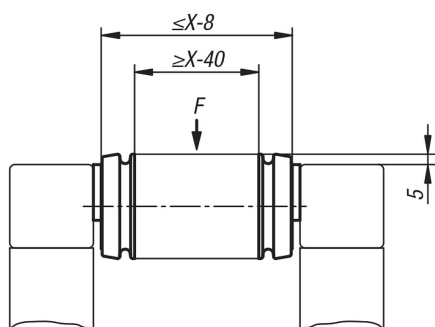


# Bearing flange for feed roller

## Item description/product images



## Description

### Material:

Bearing flanges and locating pieces PA-GF.  
Steel bolts.

### Version:

black.  
Bolt galvanized.

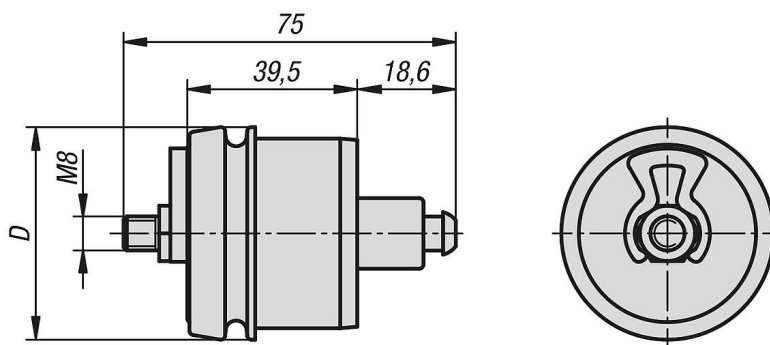
### Note:

Two bearing flanges combined with a D50 type I aluminum profile tube (K2057) form a feed roller (load-bearing roller). The bearing flanges are simply pressed into the aluminum profile tube. These can be used for many conveyance tasks. The bearing flanges have ball bearings and spring-loaded fastening spigots which enable transport rollers to be retrofitted into existing structures. A roller conveyor is created when several transport rollers are mounted in series.

The axial position of the roller is defined by the securing element which is attached to the hexagonal piece. The bearing flanges have a circumferential V-groove. This means that they can be driven using a  $\varnothing 4$  mm round belt.

Supplied in sets (2 pcs.).

## Drawings



## Bearing flange for transport roller

Order No.	Type	Slot width	D	F max. N	X min.	X max.
K2056.5008	I	8	50	1000	160	800

