

Self-aligning pads, style D, with external thread, flattened ball, with POM insert

Item description/product images



Description

Material:

Body carbon steel,
ball ball-bearing steel 1.2067,
inserts POM.

Version:

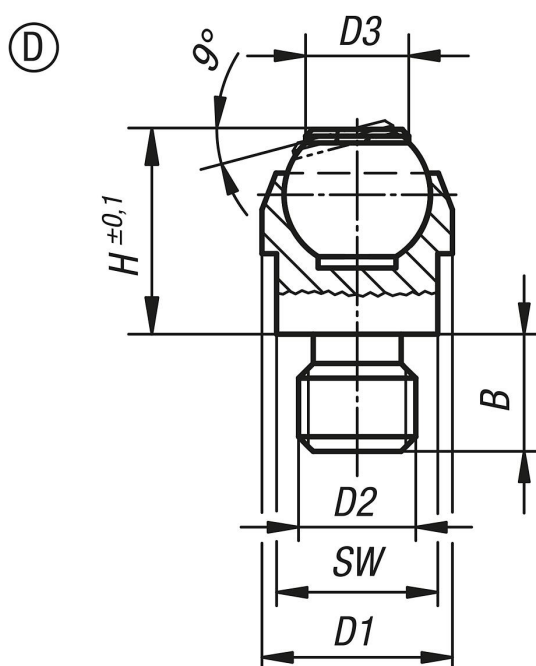
Body tempered and phosphated.
Ball hardened.

Note:

Self-aligning pads serve as stops, supports and thrust pads in fixture constructions.

Ball secured against rotation.

Drawings



Item No.	style	B	D1	D2	D3	H	Ball-Ø	SW	Load rating max. kN (static load only)
K0282.208	D	8	13	M8	7,9	13	10	11	10
K0282.210	D	10	20	M10	12,7	18	16	17	25
K0282.212	D	12	20	M12	12,7	18	16	17	25

Self-aligning pads, style D, with external thread, flattened ball, with POM insert

