

# Self-aligning pads, style H, press fit, flattened ball, with POM insert

## Item description/product images



## Description

### Material:

Body carbon steel,  
ball ball-bearing steel 1.2067,  
inserts POM.

### Version:

Body tempered and phosphated.  
Ball hardened.

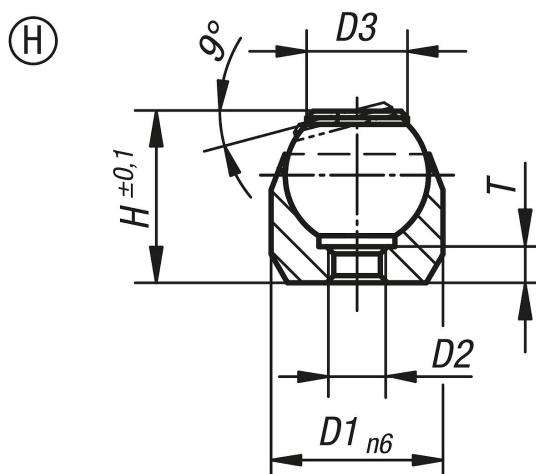
### Note:

Self-aligning pads serve as stops, supports and thrust pads in fixture constructions.

Ball secured against rotation.

\* Valid only if the minimum bore depth is observed.

## Drawings



Order No.	style	D1	D2	D3	H	T	Ball-Ø	Receiving hole	Load rating max. kN (static load only)
K0282.503	H	12	M3	7,9	11	3	10	ø 12 H7X6 min.	10*
K0282.504	H	18	M4	12,7	17	4	16	ø 18 H7X8 min.	25*
K0282.505	H	28	M5	19,05	25	6	25	ø 28 H7X13 min.	90*