

Self-aligning pads, style K, press fit, flattened ball, with carbide insert

Item description/product images



Description

Material:

Body carbon steel,
ball 1.2067 ball-bearing steel,
insert carbide.

Version:

Body tempered and phosphated.
Ball hardened.

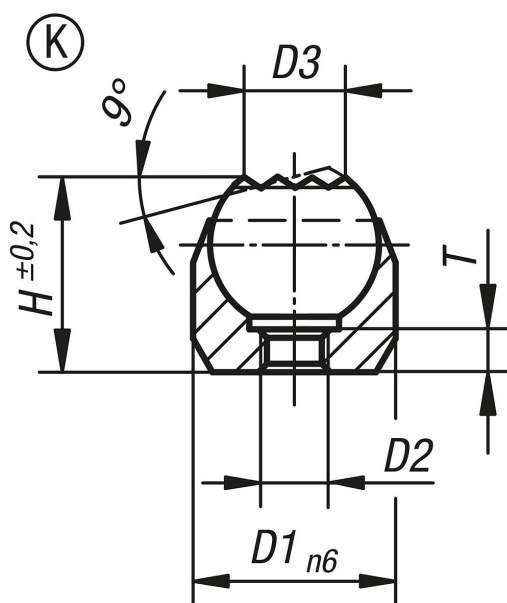
Note:

Self-aligning pads serve as stops, supports and thrust pads in fixture constructions.

Ball secured against rotation.

* Valid only if the minimum bore depth is observed.

Drawings



Order No.	style	D1	D2	D3	H	T	Ball-Ø	Receiving hole	Load rating max. kN (static load only)
K0282.804	K	18	M4	12,7	17	4	16	ø 18 H7X8 min.	25*
K0282.803	K	12	M3	7,9	11	3	10	ø 12 H7X6 min.	10*
K0282.805	K	28	M5	19,05	25	6	25	ø 28 H7X13 min.	90*